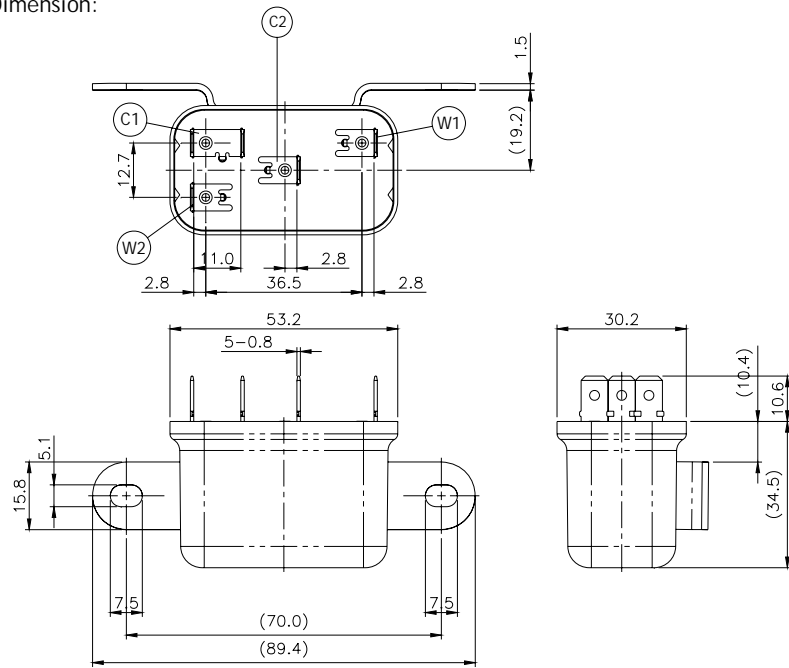
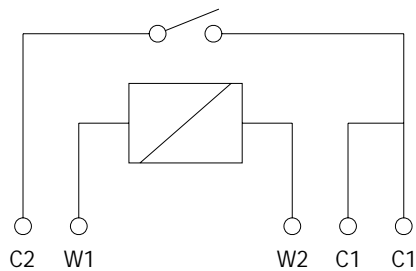


Dimension:



Circuit Diagram:



Nominal Coil Voltage: 12V  
 Rated Current: 133mA  
 Power Consumption: 1,6W  
 Coil Resistance: 90Ohm +/-10%  
 Switching Voltage: DC 75V  
 Relays Type: Normaly Open (2 x C1)  
 Contact Material: Silver Alloy  
 Contact Rating: 40A ,14V DC  
 Operation Life Electrical: 100,000  
 Operation Life Mechanical: 10,000,000  
 Temperature Range: -40°C...+85°C  
 Pulling Time: ~7ms  
 Drop Out Time: ~5ms  
 Insulation Resistance: 100MOhm Min.(500V DC.)  
 Shock Resistance: 20g Approx.

				Date	Name	Relays Special Application	Wittrin Electronic www.wittrin.com
			Author	16.08.10			
				Scale	Relais Schließer, 12V, 40A, 2 x 87, Sonderausführung		Part No. 104 230 010
Index	Version	Date	Name				