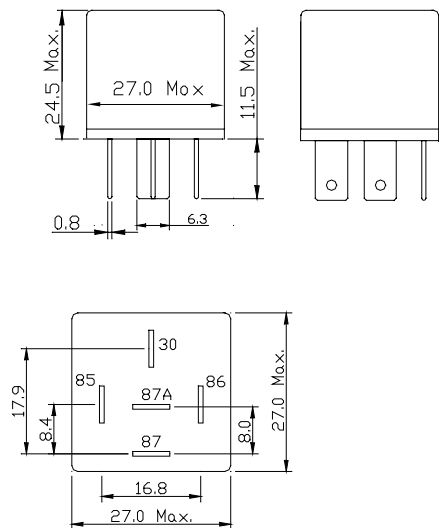
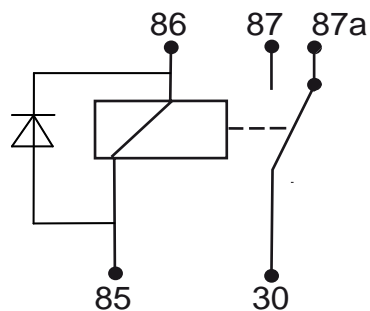


Dimensions



Circuit Diagram



Nominal Coil Voltage: 24V
 Rated Current: 67mA
 Power Consumption: 1,6W
 Coil Resistance: 360Ohm +/-10%
 Switching Voltage: DC 75V
 Feature: Sealed
 Relays Type: Change over
 Contact Material: Silver Alloy
 Nominal Current: 10/20A
 Operation Life Electrical: 100,000
 Operation Life Mechanical: 1,000,000
 Temperature Range: -40°C...+85°C
 Pulling Time: ~7ms
 Drop Out Time: ~5ms
 Weight: 30g. approx.
 Insulation Resistance: 100MOhm Min.(500V DC.)

				Date	Name	Mini Relays	Wittrin Electronic www.wittrin.com
			Author	30.10.06			
				Scale		Relais Wechsler, 24V, 10/20A, Diode, Vergossen	Part No.
							CU-432-C52
Index	Version	Date	Name				