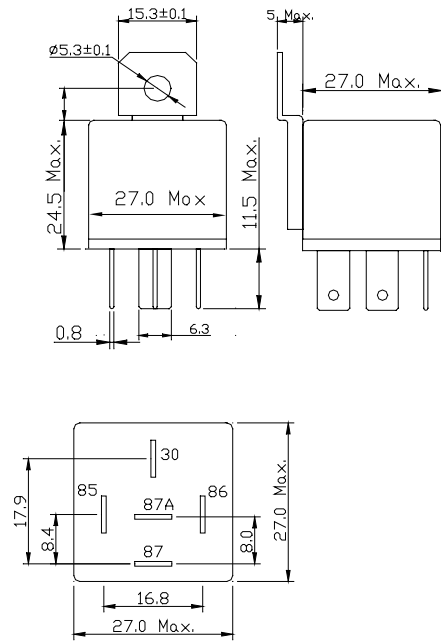


Dimensions



Nominal Coil Voltage: 24V

Rated Current: 67mA

Power Consumption: 1,6W

Coil Resistance: 360Ohm +/-10%

Switching Voltage: DC 75V

Feature: Bracket

Relays Type: Change over

Contact Material: Silver Alloy

Nominal Current: 10/20A

Operation Life Electrical: 100,000

Operation Life Mechanical: 1,000,000

Temperature Range: -40°C...+85°C

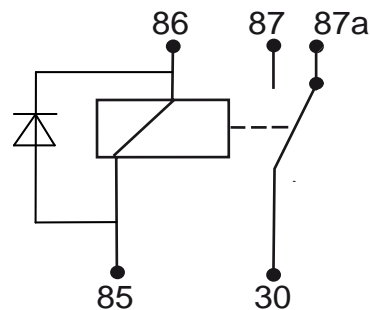
Pulling Time: ~7ms

Drop Out Time: ~5ms

Weight: 30g. approx.

Insulation Resistance: 100MOhm Min.(500V DC.)

Circuit Diagram



				Date	Name	Mini Relays	Wittrin Electronic www.wittrin.com
			Author	30.10.06			
				Scale		Relais Wechsler, 24V, 10/20A, Diode, Lasche	Part No. CU-430-C52-1
Index	Version	Date	Name				