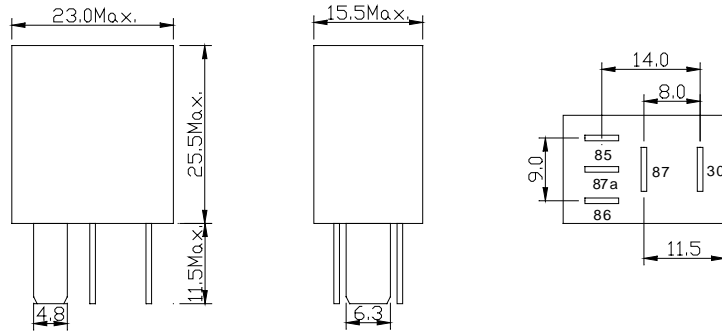
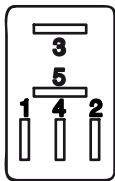


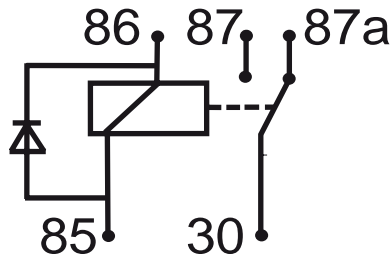
### Dimensions



### Terminal Configuration



### Circuit Diagram



Nominal Coil Voltage: 24V

Rated Current: 62,5mA

Coil Resistance: 384 Ohm

Power Consumption: 1.5W

Rated Load Current: 5/10A

Contact Type: Change over

Diode: 1N4004

Enclosure Type: Sealed

Contact Material: Silver Alloy

Operate Time: 10ms

Release Time: 7ms

Insulation Resistance: 100MOhm Min. (500V DC)

Shock Resistance: 10g Approx.

Vibration Resistance: 1.27mm Double Amplitude, 10-40Hz

Humidity: 20-85% RH

Contact Resistance: 50mOhm Max.

Ambient Temperature: -40°C to 85°C

Operation Life Mechanical: 10,000,000

Operation Life Electrical: 100,000 (At rated load)

				Date	Name	Micro Relays	Wittrin Electronic www.wittrin.com
			Author	26.10.06			
				Scale		Microrelais Wechsler, 24V, 5/10A, Diode, vergossen	Part No.
							MF-422-C52
Index	Version	Date	Name				