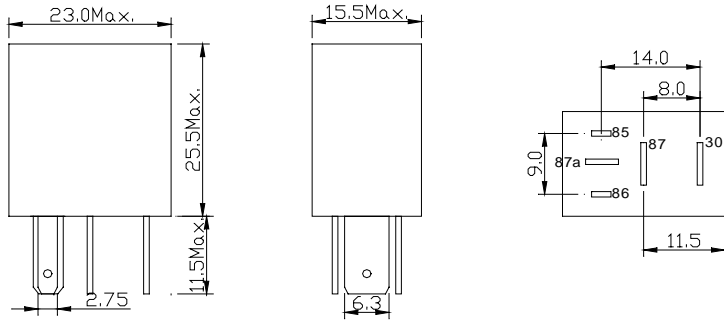


Dimensions

Plug in type with 2.75mm pin width for pins #85 & #86



Rated Voltage: 24V

Rated Current: 62,5mA

Coil Resistance: 384Ohm

Power Consumption: 1,5W

Contact Arrangement: Change Over

Feature: 2,75mm for pin 85 and 86

Contact Material: Silver Alloy

Contact Resistance: 50mOhm Max.

Contact Rating (Normally Open): 5/10A 14VDC

Switching Voltage: DC 75V Max.

Operate Time (Initial): 10ms Max.

Release Time (initial): 7ms Max.

Insulation Resistance: 100MOhm Min. (500V DC)

Shock Resistance: 10g Approx.

Vibration Resistance: 1,27mm Double Amplitude 10-40Hz

Operating Temperature: -40°C - +85°C

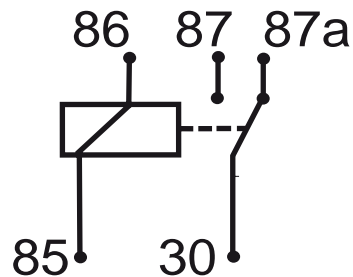
Humidity: 20-85%RH

Operation Life Mechanical: 10.000.000

Operation Life Electrical: 100.000

Weight: 18,5g Approx.

Circuit Diagram



				Date	Name	Micro Relays	Wittrin Electronic www.wittrin.com
			Author	26.10.06			
				Scale		Microrelais Wechsler, 24V, 5/10A mit 2,8mm Anschlüssen	Part No.
							FRC7C-1 DC24V
Index	Version	Date	Name				