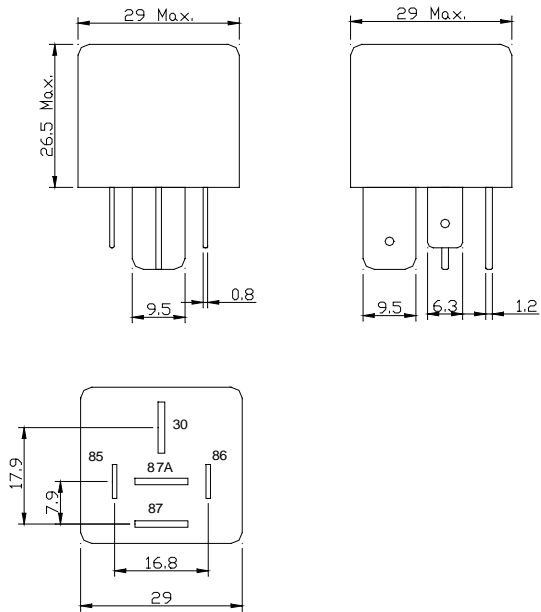
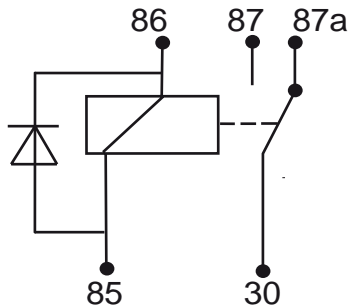


## Dimensions



## Circuit Diagram



Nominal Coil Voltage: 24V  
 Rated Load Current: 30/40A  
 Contact Type: Change Over  
 Feature: Diode  
 Enclosure Type: Sealed  
 Contact Type: Plug In Type  
 Power Consumption: 1.8 Approx.  
 Coil Resistance: 320 Ohm +/- 10%  
 Contact Arrangement: SPST  
 Contact Material: Silver Alloy  
 Contact Resistance: 30mOhm Max.  
 Switch Voltage: DC 75V Max.  
 Operate Time (Initial): 10ms Max. Typical  
 Release Time (Initial): 10ms Max. Typical  
 Insulation Resistance: 100MOhm Min. (500V DC)  
 Dielectric Strength: 20g Approx.  
 Vibration Resistance: 10-55Hz, 1.5mm Double Amplitude  
 Ambient Temperature: -40°C to 85°C  
 Humidity: 45-85% RH  
 Operation Life Mechanical: 10,000,000  
 Operation Life Electrical: 100,000 (At rated load)  
 Weight 47g Approx

				Date	Name	Heavy Duty Relays	Wittrin Electronic www.wittrin.com
			Author	26.10.06			
				Scale		Relais HD, Wechsler,24V,30/40A,Diode,vergossen	Part No.
							CU-442-C52-0
Index	Version	Date	Name				