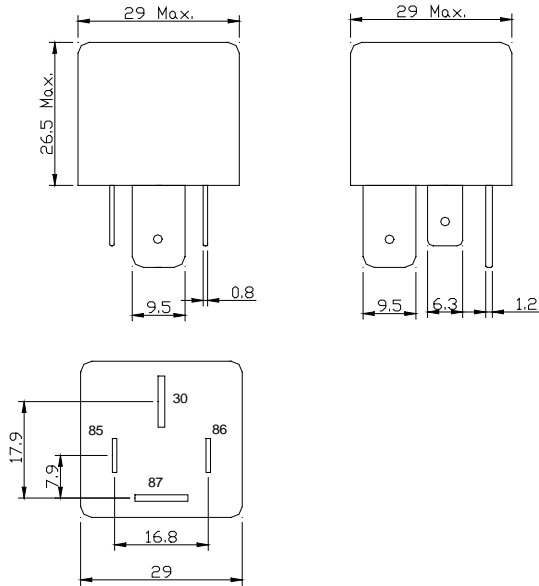
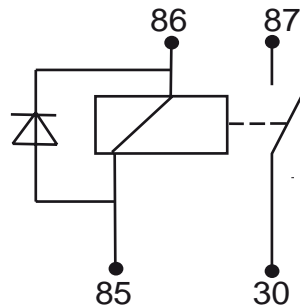


Dimensions



Circuit Diagram



Nominal Coil Voltage: 12V

Rated Load Current: 70A

Contact Type: Normally Open

Enclosure Type: Plain Dust Cover

Contact Arrangement: 1FormA

Contact Type: Plug In Type

Feature: Sealed

Power Consumption: 1.8 Approx.

Coil Resistance: 80 Ohm +/- 10%

Contact Arrangement: SPST

Contact Material: Silver Alloy

Contact Resistance: 50mOhm Max.

Switch Voltage: DC 75V Max.

Operate Time (Initial): 10ms Max. Typical

Release Time (Initial): 10ms Max. Typical

Insulation Resistance: 100MOhm Min. (500V DC)

Shock Resistance: 20g Approx.

Vibration Resistance: 10-55Hz, 1.5mm Double Amplitude

Ambient Temperature: -40°C to 85°C

Humidity: 45-85% RH

Operation Life Mechanical: 10,000,000

Operation Life Electrical: 100,000 (At rated load)

Weight: 47g Approx

				Date	Name	Heavy Duty Relays	Wittrin Electronic www.wittrin.com
			Author	15.03.07			
				Scale		HD-Relais, 12V, 70A, Diode, Vergossen	Part No.
							CU-272-N42
Index	Version	Date	Name				