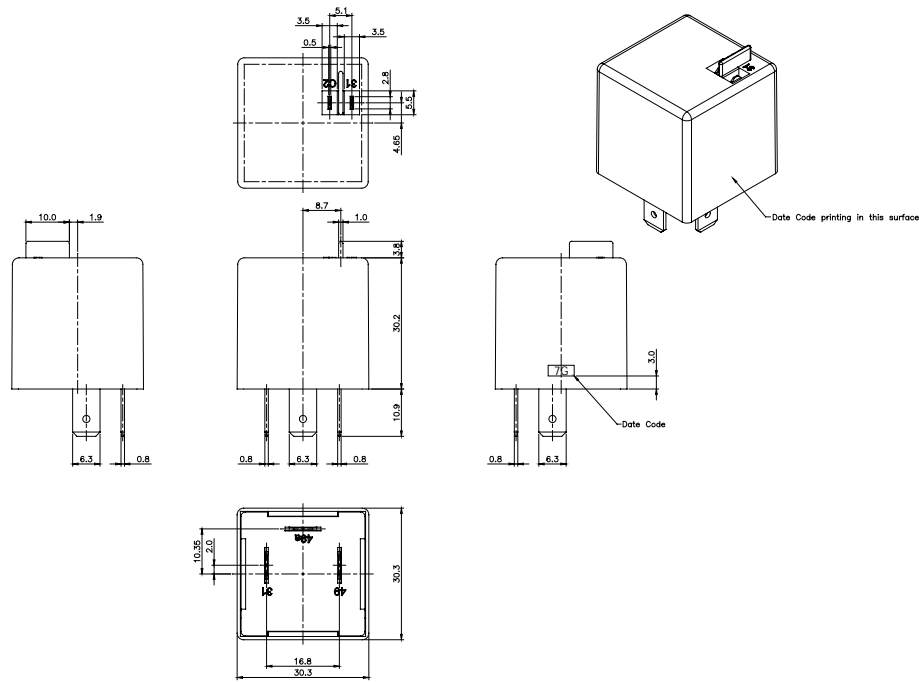
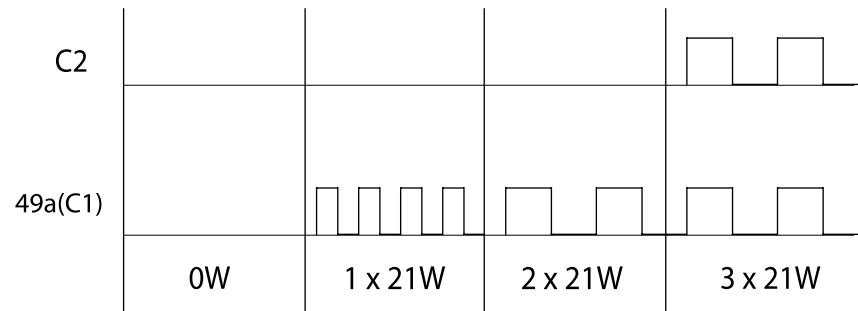


Dimensions

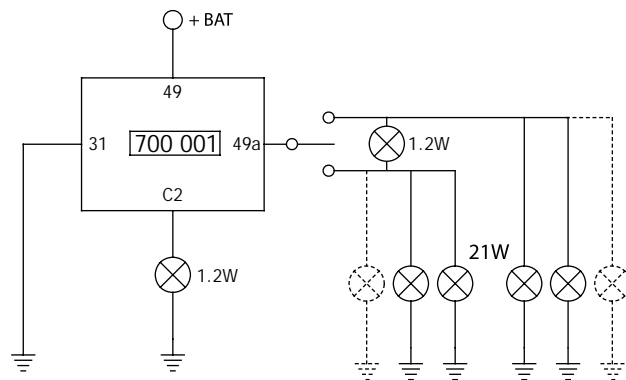


Rated Voltage: 12V
 Specification: 2+1/6 x 21W + 0 - 5W
 Plastic Material: PA66-GF30
 Protection Class: IP35

Function Diagram



Circuit Diagram



				Date	Name	Flasher	Wittrin Electronic www.wittrin.com
			Author	14.07.09	Bächle		
						Blinkgeber C2, DIN	Part No.
							700 001
Index	Version	Date	Name				